

# 4" Low Voltage Airtight IC Housing

4" new construction housing with a magnetic or electronic transformer. Uses a GU5.3 Bi-Pin socket for use with Bi-Pin GU5.3 MR16 lamps.



## Features

- Double wall IC construction, for use in insulated ceilings.
- Trims sold separately.
- Lamp: 50W MAX 12V MR16 GU/GX5.3 bi-pin. Lamp Not Included.

EL1499ICA Magnetic Transformer recommended for use with 20W-50W lamps only.

EL1499ICEA Electronic Transformer recommended for use with 3W-50W LED or Halogen Lamps.

- Lamp Holder: MR16 GU/GX5.3 bi-pin socket
- Note: Use only dimmers specifically designed for use with magnetic transformers. Low voltage luminaires may produce audible sound when used with dimmers.

## Technical Details

**Construction:** Double wall IC rated for direct contact with insulation, for use in IC or non-IC conditions. Housing adjusts in frame to accommodate up to 1 1/4" ceiling thickness. Airtight housing with gasket to restrict airflow in accordance with ASTM E-283 air-tight requirements. Steel housing for greater heat dissipation. Stamped galvanized steel frame.

**Installation:** Designed for ceiling plenums where 2x6 joists or taller joists are used. High strength hanger bars can easily be nailed to joists. Maximum hole cutout is 4 1/4". Suitable for T-grid and drop ceiling applications. See installation sheet for detailed information.

**Junction Box:** Positioned to accommodate straight conduit runs. Seven 1/2" trade size conduit knockouts, four 3/4" knockouts with pry-out knockout slots. 4 Romex pryouts with strain relief.

**Hanger Bars:** Pre-installed hanger bars with True Nail facilitate easy installation in regular lumber, engineered lumber, and laminated beams. Integral T-bar slots for easy installation in T-bars. Spans up to 24" and can be repositioned 90°. Score lines allow for tool-free hanger bar size reduction. Integral leveling flange allows for single-person installation while aligning the housings with the joists.

**Electrical:** Input Voltage: 120V AC. Output Voltage: 12V AC. Magnetic or electronic transformer available. Thermally protected against improper lamping.

**Trims:** Compatible with ELCO 4" MR16 trims.

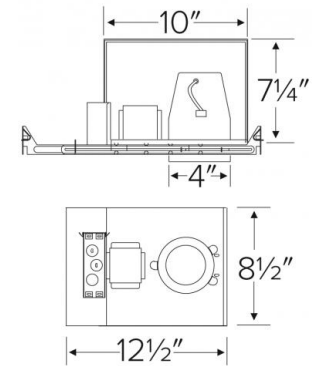
**Dimmability:** Magnetic transformer dims with MLV type dimmers. Electronic transformer dims with ELV type dimmers. See dimming compatibility list for a full list of compatible dimmers. Note: Lamp used may affect dimmability.

**Lamp:** 50W MAX 12V MR16 GU/GX5.3 bi-pin. Lamp Not Included. EL1499ICA Magnetic Transformer recommended for use with 20W-50W lamps only. EL1499ICEA Electronic Transformer recommended for use

## Specifications

<b>Wattage</b>	50W
<b>Voltage</b>	120V
<b>Lamp Type</b>	GU5.3 BiPin
<b>Damp Location</b>	Listed

## Dimensions



## Product Number

Item	Description	Lamp type	Watts	Voltage
EL1499ICEA	Electronic Transformer	GU5.3 BiPin	50W	120V

with 3W-50W LED or Halogen Lamps.

**Listings:** cUL Listed for Damp Location. cUL Listed for Wet Location with select trims. cUL Listed for Feed Through. cUL Listed for Direct Contact with Insulation and Combustible Material. Airtight per ASTM E-283.

**Warranty:** ELCO Lighting warrants products will be free from defects in materials and workmanship for a period of 3 years.

---



**ELCO Lighting**

# Dimmer Compatibility Chart Low Voltage System

### For Reference Only

Testing conducted by ELCO Lighting is not a substitute for and does not imply certification by an independent laboratory or any other standards certification. Refer to manufacturer specifications for more detailed information on product certifications and standards. Consult the dimmer manufacturer prior to installation to ensure compatibility.

Manufacturer	Product	Part Number	Dimmed Light Output Range
Lutron	Diva (gloss) 450W, single pole, magnetic low voltage dimmer	DVLV-600P	10% - 100%
	Maestro (gloss) 600W, single pole or multi-location, incandescent/halogen dimmer	MA-600	10% - 100%
	Maestro (gloss) 120V, 600W, single pole/multi-location, electronic low voltage dimmer	MAELV-600	10% - 100%
	Maestro 120V, 450W, single pole or multi-location, magnetic low voltage dimmer	MALV-600	10% - 100%

\*NOTE: Refer to dimmer manufacturer’s documentation for installation instructions and circuit details

Disclaimer: Minimum and maximum loads for LEDs and CFLs are given in number of lamps and may vary depending on the lamp being used. Testing conducted by ELCO Lighting is not a substitute for and does not imply certification by an independent laboratory or any other standards certification. Refer to manufacturer specifications for more detailed information on product certifications and standards.