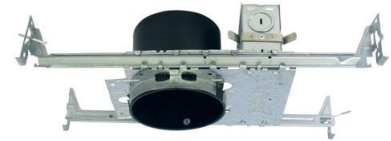


4" Housing with Plaster Frame for Remote Transformer for MR16 Bi-Pin



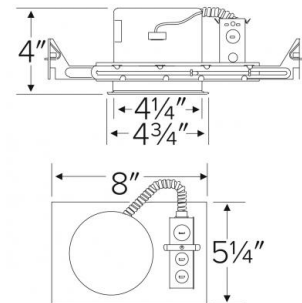
Features

- 4" housing with Plaster Frame and MR16 Socket.
- For use with remote transformer.
- Lamp: 50W MAX 12V MR16 GU/GX5.3 bi-pin LED/Halogen (not included).
- Lamp Holder: MR16 GU/GX5.3 bi-pin socket.
- Can be used with most 4" Low Voltage trims (not included).

Specifications

Wattage	35W
Voltage	120V
Lamp Type	GU5.3 BiPin
Damp Location	Listed

Dimensions



Technical Details

Construction:

- Single wall new construction.
- Housing adjusts in frame to accommodate up to 1 1/4" ceiling thickness.
- Steel housing for greater heat dissipation. Stamped galvanized steel frame.

Installation: Designed for ceiling plenums where 2x6 joists or taller joists are used. High strength hanger bars can easily be nailed to joists. Maximum hole cutout is 4 1/4". Suitable for T-grid and drop ceiling applications. See installation sheet for detailed information.

Junction Box: Positioned to accommodate straight conduit runs. Seven 1/2" trade size conduit knockouts, four 3/4" knockouts with pry-out knockout slots. 4 Romex pryouts with strain relief.

Hanger Bars: Pre-installed hanger bars with True Nail facilitate easy installation in regular lumber, engineered lumber, and laminated beams. Integral T-bar slots for easy installation in T-bars. Spans up to 24" and can be repositioned 90°. Score lines allow for tool-free hanger bar size reduction. Integral leveling flange allows for single-person installation while aligning the housings with the joists.

Electrical:

- Input Voltage: 120V AC.
- Output Voltage: 12V AC.
- Thermally protected against improper lamping.

Trims: Compatible with ELCO 4" MR16 trims.

Lamp: Designed for use with GU5.3 MR16 LED lamps.

Listings: cUL Listed for Damp Location. cUL Listed for Feed Through.

Warranty: ELCO Lighting warrants products will be free from defects in materials and workmanship for a period of 3 years.

Product Numbers

Item	Description	Lamp type	Watts	Voltage
E450	4" Low Voltage Housing for Remote Transformer	GU5.3 BiPin	35W	120V



ELCO Lighting

Dimmer Compatibility Chart Low Voltage System

For Reference Only

Testing conducted by ELCO Lighting is not a substitute for and does not imply certification by an independent laboratory or any other standards certification. Refer to manufacturer specifications for more detailed information on product certifications and standards. Consult the dimmer manufacturer prior to installation to ensure compatibility.

Manufacturer	Product	Part Number	Dimmed Light Output Range
Lutron	Diva (gloss) 450W, single pole, magnetic low voltage dimmer	DVLV-600P	10% - 100%
	Maestro (gloss) 600W, single pole or multi-location, incandescent/halogen dimmer	MA-600	10% - 100%
	Maestro (gloss) 120V, 600W, single pole/multi-location, electronic low voltage dimmer	MAELV-600	10% - 100%
	Maestro 120V, 450W, single pole or multi-location, magnetic low voltage dimmer	MALV-600	10% - 100%

*NOTE: Refer to dimmer manufacturer’s documentation for installation instructions and circuit details

Disclaimer: Minimum and maximum loads for LEDs and CFLs are given in number of lamps and may vary depending on the lamp being used. Testing conducted by ELCO Lighting is not a substitute for and does not imply certification by an independent laboratory or any other standards certification. Refer to manufacturer specifications for more detailed information on product certifications and standards.