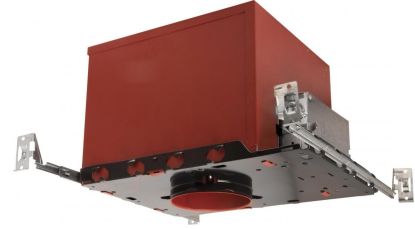


4" Fire Rated New Construction Housing



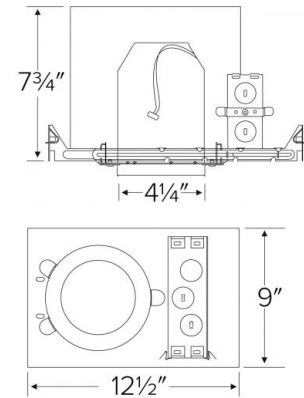
Features

- For use in insulated ceilings.
- Integrated non-combustible insulation enhances acoustical protection, dampening sound transfer between floors.
- GU10 socket for LED and traditional GU10 lamps.
- Sound rated.

Specifications

| | |
|----------------------|--------|
| Wattage | 35W |
| Voltage | 120V |
| Lamp Type | GU10 |
| Damp Location | Listed |

Dimensions



Technical Details

Construction:

- Double wall IC rated for direct contact with insulation. For use in IC and non-IC conditions.
- Housing adjusts in frame to accommodate up to 1 1/2" ceiling thickness.
- Airtight housing with gasket to restrict airflow in accordance with ASTM E-283 air-tight requirements.

Installation:

- Designed for ceiling plenums where 2x8 joists or taller are used.
- High strength hanger bars can easily be nailed to joists.
- Suitable for T-grid and drop ceiling applications.
- See installation sheet for detailed information.

Junction Box: Positioned to accommodate straight conduit runs. Two 3/4" knockouts, Seven 1/2" trade size conduit knockouts, One 3/8" knockout. Four Pry-out knockout slots for easy romex installation.

Hanger Bars: Pre Installed hanger bars with True Nail easy installation in regular lumber, engineered lumber, and Laminated Beams. Integral T-bar slots for easy installation in T-Bars. Spans up 24" and can be repositioned 90°. Score lines allow for tool-free hanger bar size reduction. Integral leveling flange allows for single-person installation while easily aligning the housings with the joists.

Trims: Compatible with ELCO 4" GU10 trims.

Listings: cUL Listed for Damp Location and for Wet Location with select trims. cUL Listed for Direct Contact with Insulation and Combustible Material. cUL Listed for Feed Through. cUL Classified 2-hour fire rating. Sound rated.

Product Number

| Item | Lamp type | Watts | Voltage |
|---------------|-----------|-------|---------|
| EL49FICA-GU10 | GU10 | 35W | 120V |