

# 4" Cedar System Non-IC Remodel Housing w/Driver

Non-IC Airtight remodel housing for high-end residential and light commercial, 850 to 1600 lumens.



## Features

- Optional 90 minutes, 120/277 VAC, 60Hz, Emergency Backup.
- Flicker-Free Dimming.
- USA designed and assembled.
- Limited 5 year warranty.
- For use with ELCO Cedar™ System 4" LED Light Engines.
- 2 at the end of the item number denotes Generation 2. Please note Gen 2 and Gen 1 are not cross compatible.

## Specifications

<b>Lumens</b>	1600 lm
<b>Voltage</b>	120/277V
<b>Dimmable</b>	Sunset
<b>Power Factor</b>	≥0.95
<b>Damp Location</b>	Listed

## Options



Optional EM

## Technical Details

### Construction:

- Non-IC Frame for non-IC conditions.
- Airtight housing with gasket to restrict airflow in accordance with ASTM E-283 air-tight requirements.

### Installation:

- Designed for ceiling plenums where 2x6 joists or taller are used.
- Suitable for T-grid and drop ceiling applications.
- See installation sheet for detailed information.

**Junction Box:** Positioned to accommodate straight conduit runs. Two 3/4" knockouts, Seven 1/2" trade size conduit knockouts, One 3/8" knockout. Four Pry-out knockout slots for easy romex installation.

### Electrical:

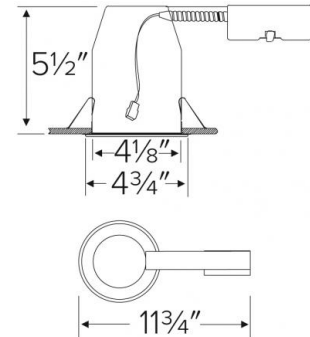
- Driver is rated for 120V and 277V input (120/277V).
- High Efficiency driver with a power factor > 0.95.

### Dimmability:

- 3 in 1 dimming: Triac, ELV and 0-10V dimming in one driver.
- 0-10V dimming down to 5% with compatible dimmer.
- Can be specified with Lutron drivers for 0.1% and 1% dimming.
- For full list of dimmers refer to the Dimmer Compatibility List.

**Listings:** cUL Listed for Damp Location and for Wet Location with select trims. cUL Listed for Feed Through.

## Dimensions



## Product Number

Item	Lumens	Voltage	Dimming
<b>E4LRC16SD</b>	1600 lm	120/277V	Sunset

## Product Number Builder Example: E4LRC082

ELCO Cedar 4" Remodel Housing	Lumens	Dimming	Generation	Optional
<b>E4LRC</b>				
	08 850 lm 12 1250 lm 16 1600 lm	120V Triac/ELV D 120/277V Triac/ELV/0-10V SD Sunset L Lutron	2 Gen 2 Gen 1	No EM EM1 Emer. Backup up to 700 lm EM2 Emer. Backup to 1100 lm

# Compatible Products



For use with 4" Cedar™ Non-IC LED housings

## 4" Cedar™ LED Light Engines



**Round Reflector Trim**

**E410C**

Finishes:

(W, B, C, H, BZ, BB, MW, MB)



**Wall Wash Reflector Trim**

**E411C**

Finishes:

(W, B, C, H, BZ, BB, MW, MB)



**Drop Glass Reflector Trim**

**E412C**

Finishes:

(W, B, C, H, BB, MW, MB)



**Round Baffle Trim**

**E414C**

Finishes:

(W, B, BZ, BB)



**Round Pinhole Trim**

**E429C**

Finishes:

(W, B, C)



**Square on Sq. Baffle Trim**

**E415C**

Finishes:

(W, BZ)



**Square on Sq. Reflector Trim**

**E417C**

Finishes:

(W, BZ)



**Round on Sq. Reflector Trim**

**E420C**

Finishes:

(W, C, H, BZ, BB)



**Round on Sq. Baffle Trim**

**E424C**

Finishes:

(W, B, BZ, BB)



**Round Adjustable Trim**

**E418C**

Finishes:

(W, C, BB, BZ)



**Square Adjustable Trim**

**E428C**

Finishes:

(W, C, BB, BZ)

### PRODUCT NUMBER BUILDER

4" Cedar™ Trim	Style	Lumen	Color Temperature	Finish
<b>E4</b>				
<b>10C</b>	Reflector	<b>08</b> 850 lm (8.76W)	<b>27</b> 2700K	<b>W</b> All White
<b>11C</b>	Wall Wash	<b>12</b> 1250 lm (12.88W)	<b>30</b> 3000K	<b>B</b> Black w/White Ring
<b>12C</b>	Drop Glass	<b>16</b> 1600 lm (18W)	<b>35</b> 3500K	<b>BZ</b> All Bronze
<b>14C</b>	Baffle		<b>40</b> 4000K	<b>BB</b> All Black
<b>15C</b>	Sq. on Sq. Baffle		<b>50</b> 5000K	<b>C</b> Chrome w/White Ring
<b>17C</b>	Sq. on Sq. Reflector		<b>SD</b> Sunset Dimming	<b>H</b> Haze w/White Ring
<b>18C</b>	Round Adjustable			<b>MW</b> Matte White
<b>20C</b>	Round on Sq. Reflector			<b>MB</b> Matte Black
<b>24C</b>	Round on Sq. Baffle			
<b>28C</b>	Square Adjustable			

# Compatible Products

For use with 4" Cedar™ Non-IC LED housings



## 4" Accessories

---



**Fire Cover**

CAT NO.	SPECIFICATIONS
FIRECVR	9 3/4" H x 17" O.D.



**Fire Enclosure**

CAT NO.	SPECIFICATIONS
FIREENCL	20 3/8" L x 14 3/8" W
FIREENCL-S	Shallow, 16" L x 14 3/8" W



**Mica Fire Tape**

CAT NO.	SPECIFICATIONS
FIRETAPE	3/4" W x 16' L