

4" Cedar System New Construction 2-Hour Fire Rated Housing w/Driver

2-Hour Fire Rated for use with Cedar System LED Light Engines.



Features

- cUL Listed for 2-Hour Fire Resistance to meet and exceed strict fire safety codes.
- Integrated Non-combustible insulation acts as a sound barrier minimizing sound transfer between floors.
- Optional 90 minutes, 120/277 VAC, 60Hz, Emergency Backup.
- Flicker-Free Dimming.
- USA designed and assembled.
- Limited 5 year warranty.
- For use with ELCO Cedar™ System 4" LED Light Engines.
- 2 at the end of the item number denotes Generation 2. Please note Gen 2 and Gen 1 are not cross compatible.

Specifications

Lumens	850 lm
Voltage	120/277V or 120V
Dimmable	Triac/ELV, Triac/ELV/0-10V, Sunset
Power Factor	≥0.95
Damp Location Listed	

Options



Optional Butterfly Bracket

Technical Details

Construction:

- Double wall IC rated for direct contact with insulation. For use in IC and non-IC conditions.
- Housing adjusts in frame to accommodate up to 1 1/2" ceiling thickness.
- Airtight housing with gasket to restrict airflow in accordance with ASTM E-283 air-tight requirements.

Installation:

- Designed for ceiling plenums where 2x8 joists or taller are used.
- High strength hanger bars can easily be nailed to joists.
- Suitable for T-grid and drop ceiling applications.
- See installation sheet for detailed information.
- Emergency Battery Back-up Option requires access from above

Junction Box: Positioned to accommodate straight conduit runs. Two 3/4" knockouts, Seven 1/2" trade size conduit knockouts, One 3/8" knockout. Four Pry-out knockout slots for easy romex installation.

Hanger Bars: Pre Installed hanger bars with True Nail easy installation in regular lumber, engineered lumber, and Laminated Beams. Integral T-bar slots for easy installation in T-Bars. Spans up 24" and can be repositioned 90°. Score lines allow for tool-free hanger bar size reduction. Integral leveling flange allows for single-person installation while easily aligning the housings with the joists.

Electrical:

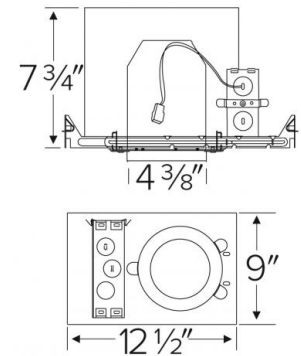
- Driver is rated for 120V and 277V input (120/277V).
- High Efficiency driver with a power factor > 0.95.

Emergency Battery Pack: Optional 90 minute battery pack available with test indicator switch. Note that double wall housings require Access From Above Ceiling for Battery Maintenance.

Dimmability:

- 3 in 1 dimming: Triac, ELV and 0-10V dimming in one driver.
- 0-10V dimming down to 5% with a compatible dimmer.
- Can be specified with Lutron drivers for 0.1% and 1% dimming.
- For a full list of dimmers refer to the Dimmer Compatibility List.

Dimensions



Product Numbers

Item	Lumens	Voltage	Dimming
E4FH08ICA2	850 lm	120V	Triac/ELV
E4FH08ICAD2	850 lm	120/277V	Triac/ELV/0-10V
E4FH08ICASD	850 lm	120/277V	Sunset

Listings: cUL Listed for Damp Location and for Wet Location with select trims. cUL Listed for Direct Contact with Insulation and Combustible Material. cUL Listed for Feed Through.

Product Number Builder Example: E4FH08ICA2

ELCO Cedar 4" Fire Housing

E4FH

Lumens

08 850 lm

IC Airtight

ICA ICA

Dimming

D 120V Triac/ELV

SD 120/277V Triac/ELV/0-10V

L Sunset

L Lutron

Generation

2 Gen 2

Gen 1

Optional

EM1 No EM

EM2 Emer. Backup up to 700 lm

EM2 Emer. Backup to 1100 lm

Compatible Products



For use with 4" Cedar™ IC LED housings

4" Cedar™ LED Light Engines



Round Reflector Trim

E410C

Finishes:

(W, B, C, H, BZ, BB, MW, MB)



Wall Wash Reflector Trim

E411C

Finishes:

(W, B, C, H, BZ, BB, MW, MB)



Drop Glass Reflector Trim

E412C

Finishes:

(W, B, C, H, BB, MW, MB)



Round Baffle Trim

E414C

Finishes:

(W, B, BZ, BB)



Round Pinhole Trim

E429C

Finishes:

(W, B, C)



Square on Sq. Baffle Trim

E415C

Finishes:

(W, BZ)



Square on Sq. Reflector Trim

E417C

Finishes:

(W, BZ)



Round on Sq. Reflector Trim

E420C

Finishes:

(W, C, H, BZ, BB)



Round on Sq. Baffle Trim

E424C

Finishes:

(W, B, BZ, BB)



Round Adjustable Trim

E418C

Finishes:

(W, C, BB, BZ)



Square Adjustable Trim

E428C

Finishes:

(W, C, BB, BZ)

PRODUCT NUMBER BUILDER

4" Cedar™ Trim	Style	Lumen	Color Temperature	Finish
E4				
	10C Reflector	08 850 lm (8.76W)	27 2700K	W All White
	11C Wall Wash		30 3000K	B Black w/White Ring
	12C Drop Glass		35 3500K	BZ All Bronze
	14C Baffle		40 4000K	BB All Black
	15C Sq. on Sq. Baffle		50 5000K	C Chrome w/White Ring
	17C Sq. on Sq. Reflector		SD Sunset Dimming	H Haze w/White Ring
	18C Round Adjustable			MW Matte White
	20C Round on Sq. Reflector			MB Matte Black
	24C Round on Sq. Baffle			
	28C Square Adjustable			

Compatible Products

For use with 4" Cedar™ IC LED housings

4" Accessories



Fire Cover

CAT NO.	SPECIFICATIONS
FIRECVR	9 3/4" H x 17" O.D.



Fire Enclosure

CAT NO.	SPECIFICATIONS
FIREENCL	20 3/8" L x 14 3/8" W
FIREENCL-S	Shallow, 16" L x 14 3/8" W



Mica Fire Tape

CAT NO.	SPECIFICATIONS
FIRETAPE	3/4" W x 16' L