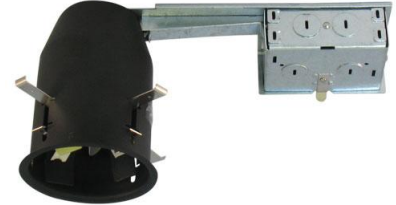


# 3" Remodel Airtight Miniature Housing

3" airtight miniature housing for remodel applications. For use with 50W GU10 MR16 lamp.



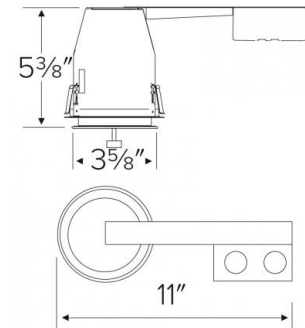
## Features

- Single wall construction.
- For use in non-insulated ceilings, where insulation must be kept 3" from all sides of fixture.
- Integral thermal protector guards against improper lamping.
- Lamp: 50W MAX 120V GU10 MR16.
- Lamp Holder: Twist-and-lock GU10 MR16 lampholder.
- Trims sold separately.

## Specifications

<b>Wattage</b>	50W
<b>Voltage</b>	120V
<b>Lamp Type</b>	GU10
<b>Damp Location</b>	Listed

## Dimensions



## Technical Details

### Construction:

- Housing adjusts in frame to accommodate up to 1 1/4" ceiling thickness.
- Airtight housing with gasket to restrict airflow in accordance with ASTM E-283 air-tight requirements.
- Steel housing for greater heat dissipation. Stamped galvanized steel frame.

**Installation:** Designed for ceiling plenums where 2x6 joists or taller joists are used. Maximum hole cutout is 3 5/8". Suitable for T-grid and drop ceiling applications. See installation sheet for detailed information.

**Junction Box:** Positioned to accommodate straight conduit runs. Seven 1/2" trade size conduit knockouts, four 3/4" knockouts with pry-out knockout slots. 4 Romex pryouts with strain relief.

### Electrical:

- Input Voltage: 120V AC.
- Thermally protected against improper lamping.

**Trims:** Compatible with ELCO 3" MR16 trims.

**Lamp:** Designed for use with GU10 MR16 LED lamps.

### Dimmability:

- Dimmability based on lamp.

### Listings:

- UL Listed for Damp Location.
- UL Listed for Wet Location with select trims.
- UL Listed for Feed Through.
- Airtight per ASTM E-283.

## Product Numbers

Item	Lamp type	Watts	Voltage
EL39RA	GU10	50W	120V