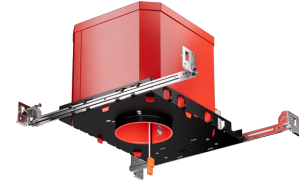


# 3" New Construction 2-Hour Fire Rated IC Airtight Housing



3" fire rated new construction LED housing. Compatible with MR16 LED lamps with quick connect base or 3" LED inserts. 2-hour fire rated.

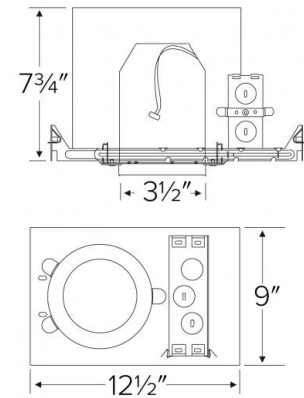
## Features

- IC Airtight for direct contact with insulation.
- cUL Listed for 2-Hour Fire Resistance to meet and exceed strict fire safety codes.
- Integrated Non-combustible insulation acts as a sound barrier minimizing sound transfer between floors.
- Meets Title 24 Requirements. ENERGY STAR® Certified.
- STC/IC Sound Rated
- Trims and inserts sold separately.

## Specifications

|                             |      |
|-----------------------------|------|
| <b>Wattage</b>              | 14W  |
| <b>Voltage</b>              | 120V |
| <b>Damp Location Listed</b> |      |

## Dimensions



## Technical Details

### Construction:

- Double wall IC rated for direct contact with insulation. For use in IC and non-IC conditions.
- Housing adjusts in frame to accommodate up to 1 1/2" ceiling thickness.
- Airtight housing with gasket to restrict airflow in accordance with ASTM E-283 air-tight requirements.
- For use with ceiling constructions: L505, L511, L536, L538, L541, L556, L577, and M500.

### Installation:

- Designed for ceiling plenums where 2x8 joists or taller are used.
- High strength hanger bars can easily be nailed to joists.
- Suitable for T-grid and drop ceiling applications.
- See installation sheet for detailed information.

**Junction Box:** Positioned to accommodate straight conduit runs. Two 3/4" knockouts, Seven 1/2" trade size conduit knockouts, One 3/8" knockout. Four Pry-out knockout slots for easy romex installation.

**Hanger Bars:** Pre Installed hanger bars with True Nail easy installation in regular lumber, engineered lumber, and Laminated Beams. Integral T-bar slots for easy installation in T-Bars. Spans up 24" and can be repositioned 90°. Score lines allow for tool-free hanger bar size reduction. Integral leveling flange allows for single-person installation while easily aligning the housings with the joists.

### Electrical:

- Driver is rated for 120V and 277V input (120/277V).
- High Efficiency driver with a power factor > 0.9.

**Emergency Battery Pack:** Optional 90 minute battery pack available with test indicator switch. Note that double wall housings require Access From Above Ceiling for Battery Maintenance.

**Listings:** cUL Listed for Damp Location and for Wet Location with select trims. cUL Listed for Direct Contact with Insulation and Combustible Material. cUL Listed for Feed Through. Sound rated.

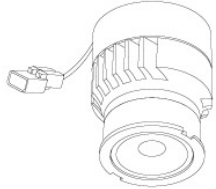
## Product Number

| Item     | Watts | Voltage |
|----------|-------|---------|
| EL39FICA | 14W   | 120V    |

# Compatible Products

For use with Dedicated 3" IC LED Housings

## Koto™ LED Module



**Koto™ LED Module**  
ELK07, ELK09, & ELK11

| PRODUCT NUMBER BUILDER |         |                   |                                    |            |                                   |
|------------------------|---------|-------------------|------------------------------------|------------|-----------------------------------|
| Koto™ LED Module       | Lumens  | Color Temperature |                                    | Beam Angle |                                   |
| ELK                    |         |                   |                                    |            |                                   |
| 07                     | 750 lm  | 27                | 2700K                              | (blank)    | 38° lens (Standard)               |
| 09                     | 950 lm  | 30                | 3000K                              | -S         | 18° lens                          |
| 11                     | 1150 lm | 35                | 3500K                              | -N         | 25° lens                          |
|                        |         | 40                | 4000K                              | -W         | 60° lens                          |
|                        |         | SD                | Sunset Dimming (For ELK09 & ELK11) | -FC        | 18° - 50° Adjustable (ELK07 Only) |

### ACCESSORIES

**Lens**

**EP731C** 18° Lens  
**EP732C** 25° Lens  
**EP733C** 38° Lens  
**EP734C** 60° Lens  
\*EP732C, EP733C, EP734C Included

**Snoot**

**L50W** White  
**L50B** Black

**Secondary Optics**

**L45** Hex Louver  
**L46** Linear Lens  
**L47** Spread Louver  
**L49** Frosted Lens  
**L51** Color Shifter

**Koto™ LED Module with 5-CCT Switch**

**Product Number**

**ELK08CT5** 825 lm  
**ELK10CT5** 1000 lm

## 3" Pex™ Twist-On Trims

**Deep Reflector**  
**ELK3618**  
 Finishes:  
 (W, BB, BZ, B, C, H)

**Adjustable Gimbal**  
**ELK3629**  
 Finishes:  
 (W, BB, BZ, B, C, H)

**Adjustable Pinhole**  
**ELK3627**  
 Finishes:  
 (B, BB, BZ)

**Adjustable Baffle**  
**ELK3693**  
 Finishes:  
 (W)

**Sq. Deep Reflector**  
**ELK3318**  
 Finishes:  
 (W, BB, BZ, B, C, H)

**Sq. Adjustable Gimbal**  
**ELK3329**  
 Finishes:  
 (W, BB, BZ, B, C, H)

**Sq. Adjustable Baffle**  
**ELK3393**  
 Finishes:  
 (W)

**Sq. Adjustable Pinhole**  
**ELK3327**  
 Finishes:  
 (B, BB, BZ)

**Square Reflector**  
**ELK3341**  
 Finishes:  
 (W, B, BB, BZ)

\*Finishes: **W** - All White, **BB** - All Black, **BZ** - All Bronze, **B** - Black Reflector w/White Ring, **C** - Chrome Reflector w/White Ring, **H** - Haze Reflector w/White Ring

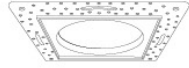
# Compatible Products

For use with Dedicated 3" IC LED Housings

## 3" Flush Mount Trim Adaptors • For use with ELK36 & ELK33 Trims



**Round Flush Mount**  
EL3FMR



**Square Flush Mount**  
EL3FMS

## 3" LED Light Engines



**Round Baffle**

| CAT NO.       | SPECIFICATIONS             |
|---------------|----------------------------|
| EL311CT3W, BZ | 9W, 700 lm, 2700K - 3500K  |
| EL311CT5W     | 10W, 700 lm, 2700K - 5000K |



**Round Reflector**

| CAT NO.       | SPECIFICATIONS             |
|---------------|----------------------------|
| EL312CT3W, BZ | 9W, 700 lm, 2700K - 3500K  |
| EL312CT5W     | 10W, 710 lm, 2700K - 5000K |



**Round Gimbal**

| CAT NO.   | SPECIFICATIONS             |
|-----------|----------------------------|
| EL313CT3W | 9W, 700 lm, 2700K - 3500K  |
| EL313CT5W | 10W, 700 lm, 2700K - 5000K |



**Square Baffle**

| CAT NO.   | SPECIFICATIONS             |
|-----------|----------------------------|
| EL331CT3W | 12W, 700 lm, 2700K - 3500K |



**Square Reflector**

| CAT NO.       | SPECIFICATIONS            |
|---------------|---------------------------|
| EL33230BZ     | 9W, 640 lm, 3000K         |
| EL332CT3W, BZ | 9W, 700 lm, 2700K - 3500K |



**Pull Down Adjustable**

| CAT NO.            | SPECIFICATIONS       |
|--------------------|----------------------|
| EL39727W, BZ, N    | 10.8W, 800 lm, 2700K |
| EL39730W, B, BZ, N | 10.8W, 800 lm, 3000K |

\*Finishes: **W** - All White, **B** - All Black, **BZ** - All Bronze, **N** - All Nickel