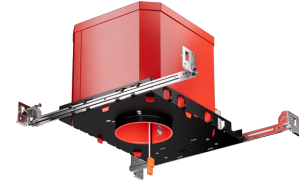


3" New Construction 2-Hour Fire Rated IC Airtight Housing



3" fire rated new construction LED housing. Compatible with MR16 LED lamps with quick connect base or 3" LED inserts. 2-hour fire rated.

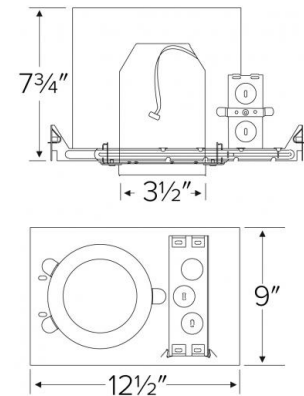
Features

- IC Airtight for direct contact with insulation.
- cUL Listed for 2-Hour Fire Resistance to meet and exceed strict fire safety codes.
- Integrated Non-combustible insulation acts as a sound barrier minimizing sound transfer between floors.
- Meets Title 24 Requirements. ENERGY STAR® Certified.
- STC/IC Sound Rated
- Trims and inserts sold separately.

Specifications

Wattage	14W
Voltage	120V or 277V to 120V
Damp Location Listed	

Dimensions



Technical Details

Construction:

- Double wall IC rated for direct contact with insulation. For use in IC and non-IC conditions.
- Housing adjusts in frame to accommodate up to 1 1/2" ceiling thickness.
- Airtight housing with gasket to restrict airflow in accordance with ASTM E-283 air-tight requirements.
- For use with ceiling constructions: L505, L511, L536, L538, L541, L556, L577, and M500.

Installation:

- Designed for ceiling plenums where 2x8 joists or taller are used.
- High strength hanger bars can easily be nailed to joists.
- Suitable for T-grid and drop ceiling applications.
- See installation sheet for detailed information.

Junction Box: Positioned to accommodate straight conduit runs. Two 3/4" knockouts, Seven 1/2" trade size conduit knockouts, One 3/8" knockout. Four Pry-out knockout slots for easy romex installation.

Hanger Bars: Pre Installed hanger bars with True Nail easy installation in regular lumber, engineered lumber, and Laminated Beams. Integral T-bar slots for easy installation in T-Bars. Spans up 24" and can be repositioned 90°. Score lines allow for tool-free hanger bar size reduction. Integral leveling flange allows for single-person installation while easily aligning the housings with the joists.

Electrical:

- Driver is rated for 120V and 277V input (120/277V).
- High Efficiency driver with a power factor > 0.9.

Emergency Battery Pack: Optional 90 minute battery pack available with test indicator switch. Note that double wall housings require Access From Above Ceiling for Battery Maintenance.

Listings: cUL Listed for Damp Location and for Wet Location with select trims. cUL Listed for Direct Contact with Insulation and Combustible Material. cUL Listed for Feed Through. Sound rated.

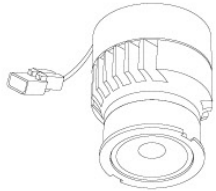
Product Numbers

Item	Description	Watts	Voltage
EL39FICA		14W	120V
EL39FICA-7	Step-down transformer	14W	277V to 120V

Compatible Products

For use with Dedicated 3" IC LED Housings

Koto™ LED Module



Koto™ LED Module
ELK07, ELK09, & ELK11

PRODUCT NUMBER BUILDER					
Koto™ LED Module	Lumens	Color Temperature	Beam Angle		
ELK					
07	750 lm	27 2700K	(blank) 38° lens (Standard)		
09	950 lm	30 3000K	-S 18° lens		
11	1150 lm	35 3500K	-N 25° lens		
		40 4000K	-W 60° lens		
		SD Sunset Dimming (For ELK09 & ELK11)	-FC 18° - 50° Adjustable (ELK07 Only)		

ACCESSORIES

Lens

EP731C 18° Lens
EP732C 25° Lens
EP733C 38° Lens
EP734C 60° Lens
*EP732C, EP733C, EP734C Included

Snoot

L50W White
L50B Black

Secondary Optics

L45 Hex Louver
L46 Linear Lens
L47 Spread Louver
L49 Frosted Lens
L51 Color Shifter

Koto™ LED Module with 5-CCT Switch

Product Number

ELK08CT5	825 lm
ELK10CT5	1000 lm

3" Pex™ Twist-On Trims

Deep Reflector
ELK3618
 Finishes:
 (W, BB, BZ, B, C, H)

Adjustable Gimbal
ELK3629
 Finishes:
 (W, BB, BZ, B, C, H)

Adjustable Pinhole
ELK3627
 Finishes:
 (B, BB, BZ)

Adjustable Baffle
ELK3693
 Finishes:
 (W)

Sq. Deep Reflector
ELK3318
 Finishes:
 (W, BB, BZ, B, C, H)

Sq. Adjustable Gimbal
ELK3329
 Finishes:
 (W, BB, BZ, B, C, H)

Sq. Adjustable Baffle
ELK3393
 Finishes:
 (W)

Sq. Adjustable Pinhole
ELK3327
 Finishes:
 (B, BB, BZ)

Square Reflector
ELK3341
 Finishes:
 (W, B, BB, BZ)

*Finishes: **W** - All White, **BB** - All Black, **BZ** - All Bronze, **B** - Black Reflector w/White Ring, **C** - Chrome Reflector w/White Ring, **H** - Haze Reflector w/White Ring

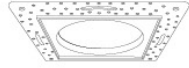
Compatible Products

For use with Dedicated 3" IC LED Housings

3" Flush Mount Trim Adaptors • For use with ELK36 & ELK33 Trims



Round Flush Mount
EL3FMR



Square Flush Mount
EL3FMS

3" LED Light Engines



Round Baffle

CAT NO.	SPECIFICATIONS
EL311CT3W, BZ	9W, 700 lm, 2700K - 3500K
EL311CT5W	10W, 700 lm, 2700K - 5000K



Round Reflector

CAT NO.	SPECIFICATIONS
EL312CT3W, BZ	9W, 700 lm, 2700K - 3500K
EL312CT5W	10W, 710 lm, 2700K - 5000K



Round Gimbal

CAT NO.	SPECIFICATIONS
EL313CT3W	9W, 700 lm, 2700K - 3500K
EL313CT5W	10W, 700 lm, 2700K - 5000K



Square Baffle

CAT NO.	SPECIFICATIONS
EL331CT3W	12W, 700 lm, 2700K - 3500K



Square Reflector

CAT NO.	SPECIFICATIONS
EL33230BZ	9W, 640 lm, 3000K
EL332CT3W, BZ	9W, 700 lm, 2700K - 3500K



Pull Down Adjustable

CAT NO.	SPECIFICATIONS
EL39727W, BZ, N	10.8W, 800 lm, 2700K
EL39730W, B, BZ, N	10.8W, 800 lm, 3000K

*Finishes: **W** - All White, **B** - All Black, **BZ** - All Bronze, **N** - All Nickel