

3" Low Voltage Shallow IC Housing



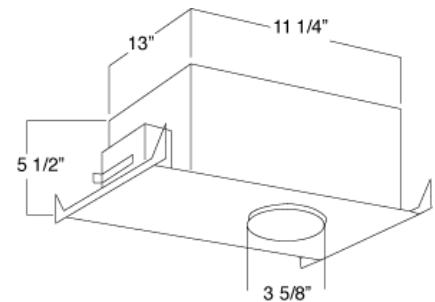
Features

- Double Wall Airtight IC Shallow Housing for use in insulated ceilings.
- Versatile, reliable and easy to install.
- Trims sold separately.
- Lamp: 50W MAX, 12V, MR16 GU/GX5.3 BiPin LED/Halogen (not included)
- Note: Use only dimmers specifically designed for use with magnetic or electronic transformers.

Specifications

Wattage	50W
Damp Location	Listed

Dimensions



Technical Details

Construction:

- IC rated for direct contact with insulation, for use in IC or non-IC conditions.
- Housing adjusts in frame to accommodate up to 1 1/4" ceiling thickness.
- Airtight housing with gasket to restrict airflow in accordance with ASTM E-283 air-tight requirements.
- Aluminum housing for greater heat dissipation. Stamped galvanized steel frame.

Installation: Designed for ceiling plenums where 2x6 joists or taller are used. High strength hanger bars can easily be nailed to joists. Maximum hole cutout is 3 3/4". Suitable for T-grid and drop ceiling applications. See installation sheet for detailed information.

Junction Box: Positioned to accommodate straight conduit runs. Seven 1/2" trade size pryout conduit knockouts, 4 Romex pryouts with strain relief.

Hanger Bars: Pre-installed hanger bars with True Nail facilitate easy installation in regular lumber, engineered lumber, and laminated beams. Integral T-bar slots for easy installation in T-grids. Spans up to 24" and can be repositioned 90°. Score lines allow for tool-free hanger bar size reduction. Integral leveling flange allows for single-person installation while aligning the housing with the joists.

Electrical:

- Input Voltage: 120V AC.
- Output Voltage: 12V AC.
- Magnetic or electronic transformer available.
- Thermally protected against improper lamping.

Trims: Compatible with ELCO Low Voltage MR16 trims.

Dimmability:

- Magnetic transformer dims with MLV type dimmers.
- Electronic transformer dims with ELV type dimmers.
- See dimming compatibility list for a list of compatible dimmers.
- Note: Lamp used may affect dimmability.

Lamp: Designed for use with GU5.3 MR16 lamps up to 50W.

Listings:

- UL Listed for Damp Location.
- UL Listed for Wet Location with select trims.
- UL Listed for Feed Through.
- UL Listed for Direct Contact with Insulation and Combustible Material.
- Airtight per ASTM E-283.
- Install a JA8-2016-E lamp/luminaire for Title 24 Compliance.

Product Numbers

Item	Description	Watts
EL2699ICAS	3" Low Voltage IC Housing	50W

Warranty: ELCO Lighting warrants products will be free from defects in materials and workmanship for a period of 3 years.
