

3" Low Voltage IC Airtight Housing for MR16 Bi-Pin



Features

- Double wall IC construction, for use in insulated ceilings.
- Trims sold separately.
- Lamp: 50W MAX 12V MR16 GU/GX5.3 bi-pin Lamp Not Included.

EL2699ICA Magnetic Transformer recommended for use with 20W-50W lamps only.

EL2699ICEA Electronic Transformer recommended for use with 3W-50W LED or Halogen Lamps.

- Lamp Holder: MR16 GU/GX5.3 bi-pin socket
- Note: Use only dimmers specifically designed for use with magnetic transformers.

Technical Details

Construction:

- IC rated for direct contact with insulation, for use in IC or non-IC conditions.
- Housing adjusts in frame to accommodate up to 1 1/4" ceiling thickness.
- Airtight housing with gasket to restrict airflow in accordance with ASTM E-283 air-tight requirements.
- Aluminum housing for greater heat dissipation. Stamped galvanized steel frame.

Installation: Designed for ceiling plenums where 2x6 joists or taller are used. High strength hanger bars can easily be nailed to joists. Maximum hole cutout is 3 3/4". Suitable for T-grid and drop ceiling applications. See installation sheet for detailed information. Access above the ceiling is not required for servicing & repairs occurring after installation (junction box is accessible from below the ceiling).

Junction Box: Positioned to accommodate straight conduit runs. Seven 1/2" trade size pryout conduit knockouts, 4 Romex pryouts with strain relief.

Hanger Bars: Pre-installed hanger bars with True Nail facilitate easy installation in regular lumber, engineered lumber, and laminated beams. Integral T-bar slots for easy installation in T-grids. Spans up to 24" and can be repositioned 90°. Score lines allow for tool-free hanger bar size reduction. Integral leveling flange allows for single-person installation while aligning the housing with the joists.

Electrical:

- Input Voltage: 120V AC.
- Output Voltage: 12V AC.
- Magnetic or electronic transformer available.
- Thermally protected against improper lamping.

Trims: Compatible with ELCO Low Voltage MR16 trims.

Dimmability:

- Magnetic transformer dims with MLV type dimmers.

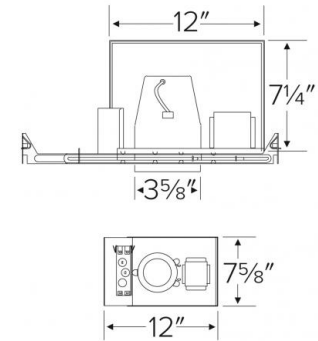
Specifications

Lamp Type GU5.3 BiPin

Damp Location Listed

Options

Dimensions



Product Numbers

Item	Description	Lamp type
EL2699ICA	3" Magnetic Low Voltage IC Housing	GU5.3 BiPin
EL2699ICEA	3" Electronic Low Voltage IC Housing	GU5.3 BiPin

- Electronic transformer dims with ELV type dimmers.
- See dimming compatibility list for a list of compatible dimmers.
- Note: Lamp used may affect dimmability.

Lamp: 50W MAX 12V MR16 GU/GX5.3 bi-pin Lamp Not Included. EL2699ICA Magnetic Transformer recommended for use with 20W-50W lamps only. EL2699ICEA Electronic Transformer recommended for use with 3W-50W LED or Halogen Lamps.

Listings: UL Listed for Damp Location. UL Listed for Wet Location with Shower trims. UL Listed for Feed Through. UL Listed for Direct Contact with Insulation and Combustible Material. Airtight per ASTM E-283. Install a JA8-2016-E lamp/luminaire for Title 24 Compliance.

Warranty: ELCO Lighting warrants products will be free from defects in materials and workmanship for a period of 3 years.



ELCO Lighting

Dimmer Compatibility Chart Low Voltage System

For Reference Only

Testing conducted by ELCO Lighting is not a substitute for and does not imply certification by an independent laboratory or any other standards certification. Refer to manufacturer specifications for more detailed information on product certifications and standards. Consult the dimmer manufacturer prior to installation to ensure compatibility.

Manufacturer	Product	Part Number	Dimmed Light Output Range
Lutron	Diva (gloss) 450W, single pole, magnetic low voltage dimmer	DVLV-600P	10% - 100%
	Maestro (gloss) 600W, single pole or multi-location, incandescent/halogen dimmer	MA-600	10% - 100%
	Maestro (gloss) 120V, 600W, single pole/multi-location, electronic low voltage dimmer	MAELV-600	10% - 100%
	Maestro 120V, 450W, single pole or multi-location, magnetic low voltage dimmer	MALV-600	10% - 100%

*NOTE: Refer to dimmer manufacturer’s documentation for installation instructions and circuit details

Disclaimer: Minimum and maximum loads for LEDs and CFLs are given in number of lamps and may vary depending on the lamp being used. Testing conducted by ELCO Lighting is not a substitute for and does not imply certification by an independent laboratory or any other standards certification. Refer to manufacturer specifications for more detailed information on product certifications and standards.