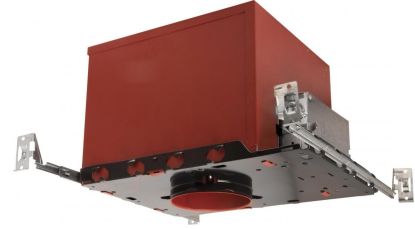


# 3" Fire Rated New Construction Housing



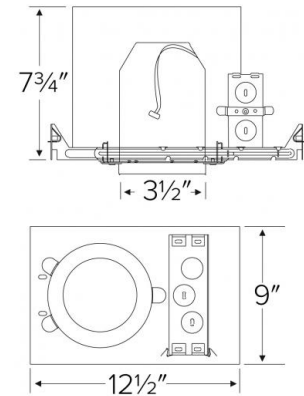
## Features

- For use in insulated ceilings.
- Integrated non-combustible insulation enhances acoustical protection, dampening sound transfer between floors.
- GU10 socket for LED and traditional GU10 lamps.

## Specifications

<b>Wattage</b>	35W
<b>Voltage</b>	120V
<b>Lamp Type</b>	GU10
<b>Damp Location</b>	Listed

## Dimensions



## Technical Details

### Construction:

- Double wall IC rated for direct contact with insulation. For use in IC and non-IC conditions.
- Housing adjusts in frame to accommodate up to 1 1/2" ceiling thickness.
- Airtight housing with gasket to restrict airflow in accordance with ASTM E-283 air-tight requirements.

### Installation:

- Designed for ceiling plenums where 2x8 joists or taller are used.
- High strength hanger bars can easily be nailed to joists.
- Suitable for T-grid and drop ceiling applications.
- See installation sheet for detailed information.

**Junction Box:** Positioned to accommodate straight conduit runs. Two 3/4" knockouts, Seven 1/2" trade size conduit knockouts, One 3/8" knockout. Four Pry-out knockout slots for easy romex installation.

**Hanger Bars:** Pre Installed hanger bars with True Nail easy installation in regular lumber, engineered lumber, and Laminated Beams. Integral T-bar slots for easy installation in T-Bars. Spans up 24" and can be repositioned 90°. Score lines allow for tool-free hanger bar size reduction. Integral leveling flange allows for single-person installation while easily aligning the housings with the joists.

**Trims:** Compatible with ELCO 3" GU10 trims.

**Listings:** UL Listed for Damp Location and for Wet Location with select trims. UL Listed for Direct Contact with Insulation and Combustible Material. UL Listed for Feed Through. UL Classified 2-hour fire rating.

## Product Numbers

Item	Lamp type	Watts	Voltage
<b>EL39FICA-GU10</b>	GU10	35W	120V