

24V DC 6" LED Shallow Fire Rated ICA New Construction Housing



24V DC 6" Fire Rated ICA New Construction LED housing. Compatible with 24V DC Koto Module. 2-hour fire rated.

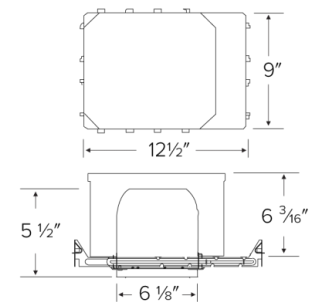
Features

- Only for use with 24V DC Koto Module
- 24W MAX.
- 2-Hour Fire Rated housing
- IC Airtight for direct contact with insulation.
- Simple installation with 24V Wire
- Meets Title 24 High Efficacy requirements. Sound rated
- Housing Meets Restricted Air Flow requirements (per ASTM E-283)
- UL Listed for damp locations
- UL Listed for wet locations
- Height: 6 3/16"

Specifications

Wattage	24W
Voltage	24V DC
Wet Location	Listed
Damp Location	Listed

Dimensions



Technical Details

Construction:

- Double wall IC rated for direct contact with insulation. For use in IC and non-IC conditions.
- Housing adjusts in frame to accommodate up to 1 1/2" ceiling thickness.
- Airtight housing with gasket to restrict airflow in accordance with ASTM E-283 air-tight requirements.

Installation:

- Designed for ceiling plenums where 2x8 joists or taller are used.
- High strength hanger bars can easily be nailed to joists.
- Suitable for T-grid and drop ceiling applications.
- See installation sheet for detailed information.

Hanger Bars: Pre Installed hanger bars with True Nail easy installation in regular lumber, engineered lumber, and Laminated Beams. Integral T-bar slots for easy installation in T-Bars. Spans up 24" and can be repositioned 90°. Score lines allow for tool-free hanger bar size reduction. Integral leveling flange allows for single-person installation while easily aligning the housings with the joists.

Lamp: Designed for use with ELCO 24V DC Koto Module only and 6" trims.

Listings:

- UL Listed for Damp Location.
- UL Listed for Wet Location with select trims.
- UL Listed for Feed Through.
- UL Listed for Direct Contact with Insulation and Combustible Material.
- Sound Rated

Product Numbers

Item	Watts	Voltage
E24V75FICAS	24W	24V DC