

# 2" LED Round Elm™ Downlight with 5-CCT Switch

Energy-efficient Elm™ System LED Downlights featuring 5-CCT Switch to choose desired color temperature (2700K-5000K), and maximum flexibility by mix-&-matching any round or square trim (sold separately) with desired reflector or baffle finish (sold separately) to complete the assembly. Designed to be installed without the need for a housing.



## Features

- Mix-&-Match Choosing Between Baffle or Reflector and Flexa™ Round or Square Trim (Sold separately)
- Baffle, Reflector, and Trims available in White, Black, Haze & Bronze color finishes (Sold separately)
- 8W / 600 lm / 120V
- 5-CCT Switch
- CRI 90+
- ETL listed
- Triac/ELV Dimmable
- IC rated for direct connect with insulation
- Cutout: 2 5/8"

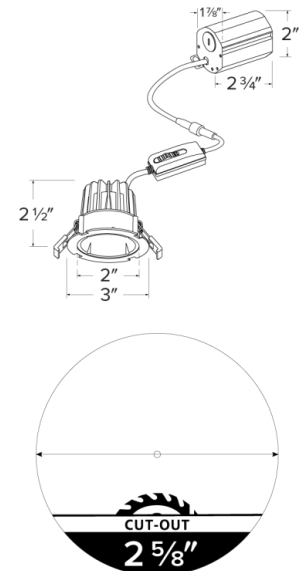
## Specifications

<b>Wattage</b>	8W
<b>Lumens</b>	600 lm
<b>Voltage</b>	120V
<b>Color Temp.</b>	2700K, 3000K, 3500K, 4000K, 5000K
<b>Dimmable</b>	Triac/ELV
<b>Lamp Type</b>	LED
<b>Beam Angle</b>	38°
<b>CRI</b>	90+
<b>Damp Location</b>	Listed

## Options



## Dimensions



## Product Number

Item	Description	Lamp type	Lumens	CCT	Watts	Voltage	Dimming	Beam Angle
ERT2L06CT5	2" LED Round ELM™ Downlight	LED	600 lm	2700K, 3000K, 3500K, 4000K, 5000K	8W	120V	Triac/ELV	38°

## Product Number Builder Example: ERT2L06CT5

2" LED Round Elm™ Downlight

Color Temperature

**ERT2L06**

**CT5** 2700K-5000K

# Compatible Products

For use with 2" ERT2L06CT5 Downlight

## 2" Reflector & Baffle to Mix-&-Match

---



for 2" LED Elm™ Downlights  
**Reflector**



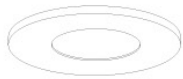
for 2" LED Elm™ Downlights  
**Baffle**

CAT NO.	SPECIFICATIONS
ERT210W	White Finish
ERT210B	Black Finish
ERT210H	Haze Finish
ERT210BZ	Bronze Finish

CAT NO.	SPECIFICATIONS
ERT214W	White Finish
ERT214B	Black Finish
ERT214BZ	Bronze Finish

## 2" Flexa™ Round & Square Trims to Mix-&-Match

---



for 2" LED Elm™ Downlights  
**Round Flexa™ Trim**



for 2" LED Elm™ Downlights  
**Square Flexa™ Trim**

CAT NO.	SPECIFICATIONS
ERT2RW	White Finish
ERT2RB	Black Finish
ERT2RBZ	Bronze Finish

CAT NO.	SPECIFICATIONS
ERT22SQW	White Finish
ERT22SQB	Black Finish

# Compatible Products

For use with 2" ERT2L06CT5 Downlight

## 2" Elm™ New Construction Frames

---



New Construction Frame for Slim Panels  
**Single Cutout**

CAT NO.	SPECIFICATIONS
E2LF1	2" Frame



New Construction Frame for Slim Panels  
**Multiple Cutout**

CAT NO.	SPECIFICATIONS
E2LF1-M2	2 Set
E2LF1-M3	3 Set
E2LF1-M4	4 Set
E2LF1-M5	5 Set



Universal Frame for 2", 4" and 6"  
**New Construction**

CAT NO.	SPECIFICATIONS
E246LF1	For 2", 4" and 6"



**ELCO Lighting**

# Dimmer Compatibility Chart Elm™ System High Lumen LED Downlights

For ERT215, ERT218, ERT318, ERT411, ERT412, ERT416, ERT425  
ERT611, ERT612Series, ERT2HL08CT5, ERT2HL10CT5, and ERT4L10CT5

## For Reference Only

Testing conducted by ELCO Lighting is not a substitute for and does not imply certification by an independent laboratory or any other standards certification. Refer to manufacturer specifications for more detailed information on product certifications and standards. Consult the dimmer manufacturer prior to installation to ensure compatibility.

Manufacturer	Product	Part Number	Dimmed Light Output Range
Lutron	Ariadni, 120V AC, 60Hz, 150W LED/CFL, 600W Incandescent/Halogen, Single Pole, 3-Way	AYCL-153P	10% - 100%
	Diva, 120V AC, 60Hz, 600W Incandescent/Halogen, Single Pole, 3-Way	DV-600PR	1% - 100%
	Diva, 120V, 60Hz, 150W LED/CFL, 600W Incandescent/Halogen, Single Pole, 3-Way	DVCL-153P	10% - 100%
	Maestro, 120V, 50/60Hz, 150W LED/CFL, 600W Incandescent/Halogen, Single Pole, 3-Way	MACL-153M	10% - 100%
	Nova, 120V AC, 60Hz, 600W Incandescent/Halogen, Single Pole, 3-Way	D-600P	10% - 100%
	Nova, 120V AC, 300W Load Rating, Single Pole, 3-Way, Residential/Commercial Application	NTELV-300P	10% - 100%
	Skylark, Single Pole 600W Incandescent/Halogen, Slide-to-Off Dimmer	S-600P	10% - 100%
	Skylark Contour, 120V, 60Hz, 600W Incandescent/Halogen, Single Pole, 3-Way	CT-600P	1% - 100%
	Skylark, 120V, 60Hz, 150W LED/CFL, 600W Incandescent/Halogen, Single Pole, 3-Way	CTCL-153P	10% - 100%
	Toggler, 120V AC, 60Hz, 600W Incandescent/Halogen, Single Pole, 3-Way	TG-600P	10% - 100%
	Toggler, 120V AC, 60Hz, 150W LED/CFL, 600W Incandescent, Single Pole, 3-Way	TGCL-153P	10% - 100%
Leviton	SureSlide, 120V AC 60Hz, 600W for LED and CFL, 600W for Incandescent, Single Pole, 3-Way, Polycarbonated Housing	6633	10% - 100%
	SureSlide Decora, 120V AC, 60Hz, 150W LED/CFL, 600W Incandescent, Single Pole, 3-Way, Commercial Application	6674	20% - 100%
	Trimatron, 120V AC, 60Hz, 600W Incandescent, Single Pole, 3-Way,	6602	20% - 100%
	ILLUMATECH Universal, 120V AC 60Hz, 150W LED/CFL, 600W Incandescent, Single Pole, 3-Way, Residential/Commercial Application	IPL06	1% - 100%
Legrand	Adorne Kit, 120V, 700W Load Rating, Single Pole, 3-Way	ADTP703TU	20% - 100%
	Harmony, 120V, 700W Incandescent, Single Pole, 3-Way	H703PTW	10% - 100%
Cooper	Aspire, 120V AC, 300W/600W Load Rating, Single Pole, 3-Way, Architectural Application	9540	10% - 100%
	Devine, 120V AC, 300W LED/CFL or 600W Incandescent/Halogen, Single Pole, 3-Way	DAL06P	10% - 100%

### \*NOTE: Refer to dimmer manufacturer's documentation for installation instructions and circuit details

Disclaimer: Minimum and maximum loads for LEDs and CFLs are given in number of lamps and may vary depending on the lamp being used. Testing conducted by ELCO Lighting is not a substitute for and does not imply certification by an independent laboratory or any other standards certification. Refer to manufacturer specifications for more detailed information on product certifications and standards.

Integrating our lighting with your Smart Home System is a breeze. Simply check your Smart Home system for compatible smart switches and cross reference that with our Dimming Compatibility Chart. Once the switches are integrated with your Smart Home system your lights will be ready to go.



2042 E. Vernon Ave. Vernon CA 90058 Tel 323.231.2600 Fax 323.231.3200 [elcolighting.com](http://elcolighting.com)