

2" Highlumen LED Round Elm™ Downlight with 5-CCT Switch

Featuring 5-CCT Switch to choose desire color temperature from 2700K to 5000K, and maximum flexibility by mix-&-matching any round or square trim with desire reflector or baffle finish. Designed to be installed without the need for a housing



Features

- Mix-&-Match Choosing Between Baffle or Reflector and Flexa™ Round or Square Trim
- Baffle, Reflector, and Trims available in White, Black, Haze & Bronze color finishes
- Compatible with Universal Frame only
- IC Rated for Direct Connect with Insulation
- 12W
- 5-CCT Switch
- CRI 90+
- 120V
- ETL listed
- Triac/ELV Dimmable

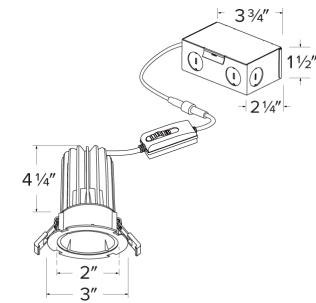
Specifications

Wattage	12W
Lumens	850 lm
Voltage	120V
Color Temp.	2700K, 3000K, 3500K, 4000K, 5000K
Dimmable	Triac/ELV
Lamp Type	LED
CRI	90+
Damp Location	Listed

Options



Dimensions



Product Numbers

Item	Description	Lamp type	Lumens	CCT	Watts	Voltage	Dimming
ERT2HL08CT5	2" Highlumen LED Downlight	LED	850 lm	2700K, 3000K, 3500K, 4000K, 5000K	12W	120V	Triac/ELV

Product Number Builder Example: ERT2HL08CT5

2" Highlumen LED Round Elm™ Downlight

Color Temperature

Compatible Products

For use with 2" ERT2HL08CT5 Downlight

2" Reflector & Baffle to Mix-&-Match



for 2" LED Elm™ Downlights
Reflector



for 2" LED Elm™ Downlights
Baffle

CAT NO.	SPECIFICATIONS
ERT210W	White Finish
ERT210B	Black Finish
ERT210H	Haze Finish
ERT210BZ	Bronze Finish

CAT NO.	SPECIFICATIONS
ERT214W	White Finish
ERT214B	Black Finish
ERT214BZ	Bronze Finish

2" Flexa™ Round & Square Trims to Mix-&-Match



for 2" LED Elm™ Downlights
Round Flexa™ Trim



for 2" LED Elm™ Downlights
Square Flexa™ Trim

CAT NO.	SPECIFICATIONS
ERT2RW	White Finish
ERT2RB	Black Finish
ERT2RBZ	Bronze Finish

CAT NO.	SPECIFICATIONS
ERT22SQW	White Finish
ERT22SQB	Black Finish

Compatible Products

For use with 2" ERT2HL08CT5 Downlight



2" Elm™ New Construction Frames



Universal Frame for 2", 4" and 6"
New Construction

CAT NO.	SPECIFICATIONS
E246LF1	For 2", 4" and 6"