

LED Gordian™ (M) Track Fixture



Features

- Solid diecast aluminum fixture
- Integrated driver
- 90° tilt, 358° rotation
- 50,000 hours life-span
- 38° Beam Angle Standard. Optional Lenses: EP722C (15°) or EP723C (24°) available

Specifications

Wattage	30W
Lumens	2100 lm - 2250 lm
Voltage	120V
Color Temp.	3000K - 4000K
Dimmable	Yes
Lamp Type	LED
Beam Angle	38°

Options



White



Black

Technical Details

Construction: Full diecast construction for exceptional heat management and lasting quality. Powder coat architectural white and architectural black matte finishes.

Adjustability: Track head is adjustable 90° tilt with 358° rotation.

Optics: Lens provides smooth lumen output at standard 38°. Optional lenses: EP722C (15°) or EP723C (24°) available

Installation: Effortlessly installed into H-Style track from ELCO or others. Compatible with Single and Double circuit track. Can be ordered as J-Style or L-Style.

LED Technology:

- Extremely accurate Color Rendering Index of 90+ CRI
- Efficacy of over 81 lumens per watt
- Lumen Maintenance of 50,000 hours L70 Life based on LM80 standardized test results
- Instant On to Full Brightness technology
- Chip on Board LED design results in a smooth lumen output with no LED pixelation

Dimmability:

- Triac and ELV dimmable down to 10%
- Flicker-Free Dimming
- For full list of dimmers refer to the Dimmer Compatibility List

Electrical:

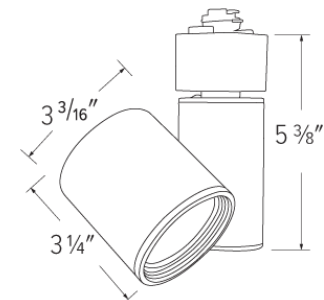
- Driver is rated for 120V input
- High Efficiency driver with a power factor > 0.9

Listings:

- ETL Listed
- RoHS Compliant

Warranty: ELCO Products are built to last. 5-year Limited warranty.

Dimensions



Product Numbers

Item	Lamp type	Lumens	CCT	Watts	Voltage	Dimming	Beam Angle	Finish
ET62030DW	LED	2100 lm	3000K	30W	120V	Yes	38°	White
ET62030DB	LED	2100 lm	3000K	30W	120V	Yes	38°	Black
ET62040DW	LED	2250 lm	4000K	30W	120V	Yes	38°	White
ET62040DB	LED	2250 lm	4000K	30W	120V	Yes	38°	Black

